

VARIABLE HEIGHT



POWER HEAD



CENTER SUMP



AUGER HOPPER



INTERMEDIATE SUMP



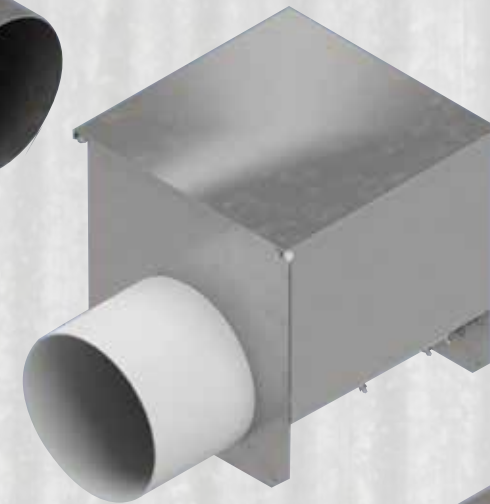
AUGER PARTS

Variable Height	Auger Hopper	Power head	Center Sump	Intermediate Sump
Size	Size	Size	Size	Size
6" to 6"	6"	4"	6"	6"
6" to 8"	8"	6"	8"	8"
8" to 8"	10"	8"	10"	10"
8" to 10"	12"	10" 1-1/4"BRG		
10" to 10"		10" 1-1/2"BRG		
		12"		

VARIABLE HEIGHT



AUGER HOPPER



POWER HEAD



CENTER SUMP



INTERMEDIATE SUMP

